

### SHAFT COUPLERS

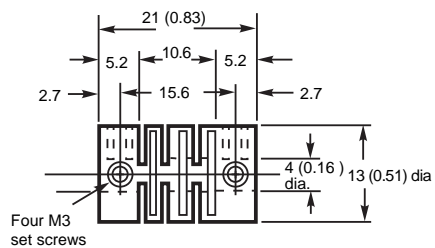
All shaft couplers are made of glass-filled polybutadiene terephthalate (PBT).

Applicable encoder models	Status	Part number
E6A2	Replacement part	<b>E69-C04B</b>
E6B2, E6C2-C, E6D, E6CP, E6G E6CP-AG5C-C	Replacement part Accessory, order separately	<b>E69-C06B, E69-C08B</b> <b>E69-C06M</b>
E6F-AB3C E6F-AB3C-C, E6F-AG5C-C	Replacement part Accessory, order separately	<b>E69-C10B</b>
E6B2, E6C2-C, E6D, E6CP, E6G E6CP-AG5C-C	Accessory, order separately Accessory, order separately	<b>E69-C68B</b> <b>E69-C610B</b>

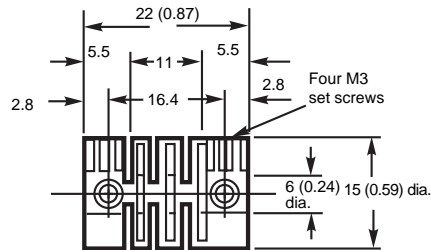
### Dimensions

Unit: mm (inch)

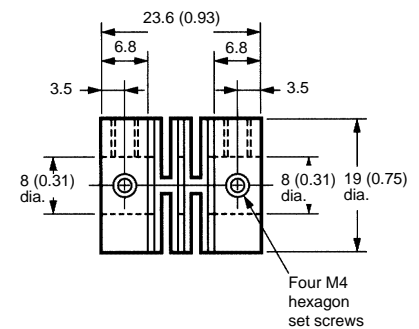
**E69-C04B**



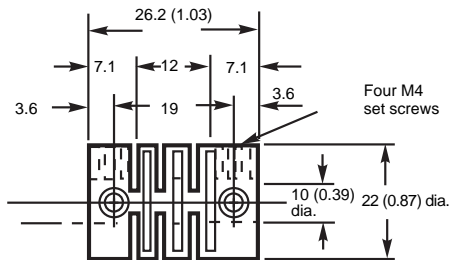
**E69-C06B**



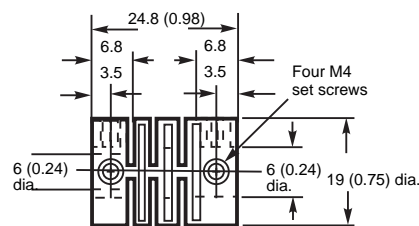
**E69-C08B**



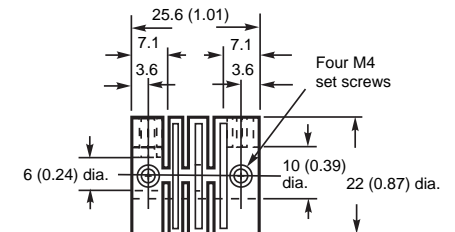
**E69-C10B**



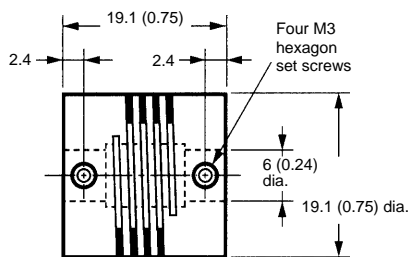
**E69-C68B**



**E69-C610B**



**E69-C06M**

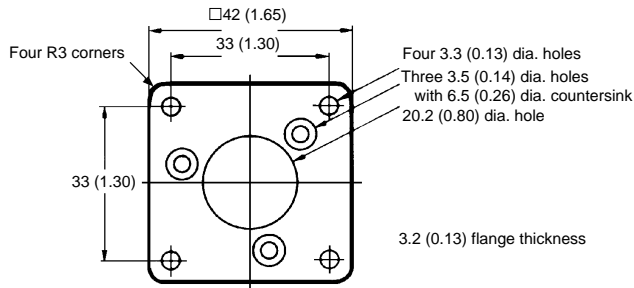


**■ MOUNTING FLANGES AND BRACKETS**

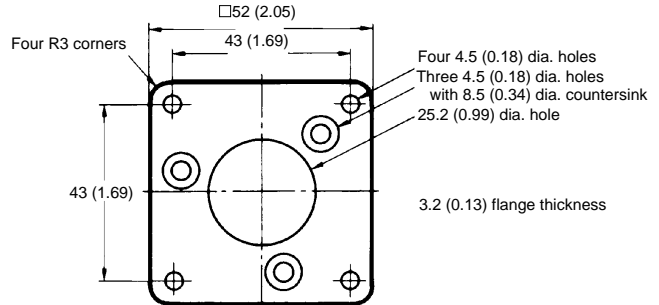
Mounting brackets for rotary encoders are supplied three per package.

Encoder model	Mounting flange part number	Mounting bracket part number
E6B2	E69-FBA	E69-FBA-02
E6C	E69-FCA	E69-FCA-02

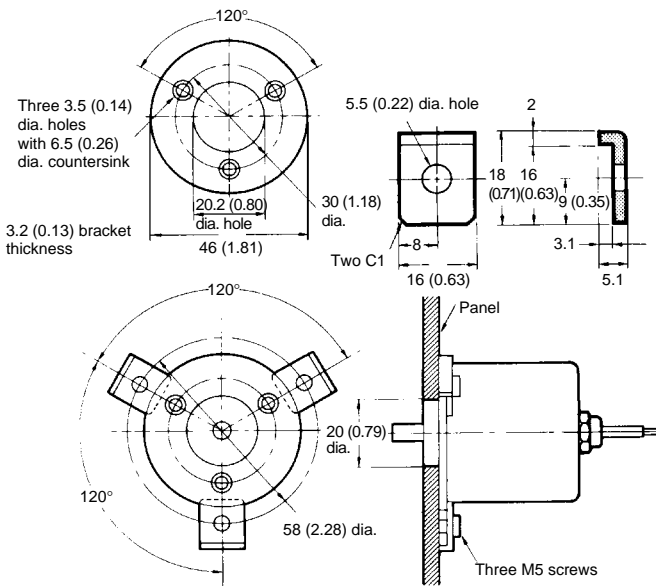
**E69-FBA**



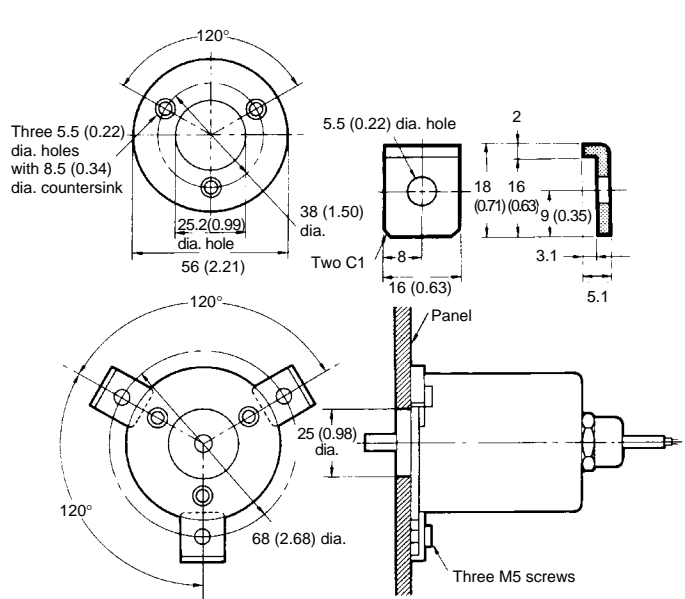
**E69-FCA**



**E69-FBA-02**



**E69-FCA-02**



**NOTE: DIMENSIONS ARE IN MILLIMETERS. To convert millimeters to inches, divide by 25.4.**



**OMRON ELECTRONICS, INC.**  
 One East Commerce Drive  
 Schaumburg, IL 60173  
**1-800-55-OMRON**

**OMRON CANADA, INC.**  
 885 Milner Avenue  
 Scarborough, Ontario M1B 5V8  
**416-286-6465**